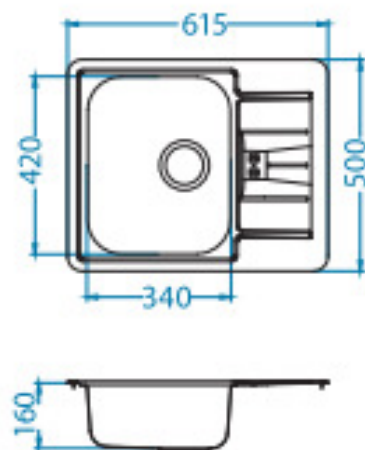


Line 60

Size: 615 x 500 mm
 Bowl dimensions: 340 x 420 x 160 mm
 Cabinet size: 500 mm



surface	code	type	waste	Ø 35 mm	installation	packaging
NAT	1065681	reversible	3 1/2"	/	I	sleeve
LEI	1065695	reversible	3 1/2"	/	I	sleeve

NAT - unpolished

Accessories:

Included



Waste kit
1064463

Optional



Chopping board
safety glass
1063063



Strainer bowl
stainless
1062602



Chopping board
wooden
1064565

Installation:

